

twilight

INSTRUMENTOS DE MEDICIÓN INDUSTRIAL

**Sensor de nivel ultrasónico Rango: 0-5 m Salida: 4-20
mA 2 hilos, Meacon
MC-SUPMPA5**

www.twilight.mx

Ultrasonic level transmitter

Committed to process automation solutions

Datasheet



SUP-MP

The ultrasonic level transmitter is a low-cost, non-contact and easy-to-install measurement device. It is able to meet the every-day needs of commercial production, as well serving a more specialized role in the technologically advanced aerospace industry, thus placing it firmly in the category of high-level measurement technology. Unlike other level indicators with limited uses, the easy-to-install ultrasonic level indicator is a highly accurate device with enough specialized uses to ensure that the needs of the customer are met.

Features

- ◆ Non-contact.
- ◆ Not effected by material property, such as pressure environments, viscosity and specific gravity.
- ◆ Integrated keypad with security code.
- ◆ Easy installation and low operating costs.
- ◆ Can be used in a versatile of application .
- ◆ Maintenance-free.
- ◆ Easy to set program no need to train personal.
- ◆ Fully isolated analog 4-20ma output.
- ◆ Better accuracy and stability in difficult conditions.
- ◆ Internal temperature compensation improves accuracy

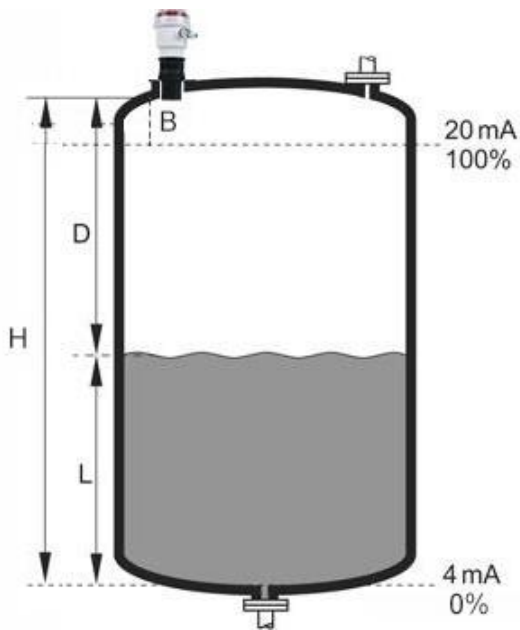
Main Function

1. Level measurement
2. Distance measurement
3. Volume measurement.
4. Pump control

Principle

The principle of operation of the ultrasonic sensor system is to use the ultrasonic pulses which are transmitted by the transducer to the surface to be monitored and are reflected back to the transducer, the time period between transmission and reception of the sound pulses is directly proportional to the distance between the transducer and surface

The latest microcomputer technology and the proven processing software select the level echo from among any number of false echoes and calculate the exact distance to the product surface.



B = Blanking distance

D = Distance from transducer to material surface

L = Height in silo

The distance D is determined from the velocity of sound and the time period t by the formula:

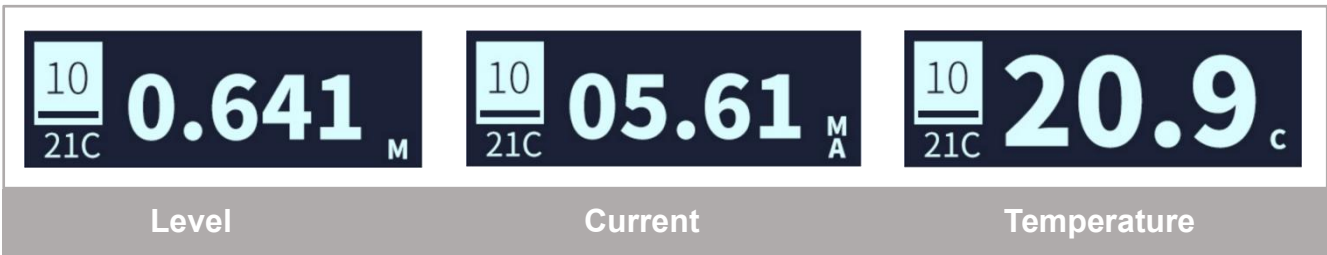
$$D = V \cdot T / 2$$

Example:

With the velocity of sound = 334.1 M/s, a time period of 60m/s corresponds to a transmission path of 20.046M and thus to a distance of 10.023M.

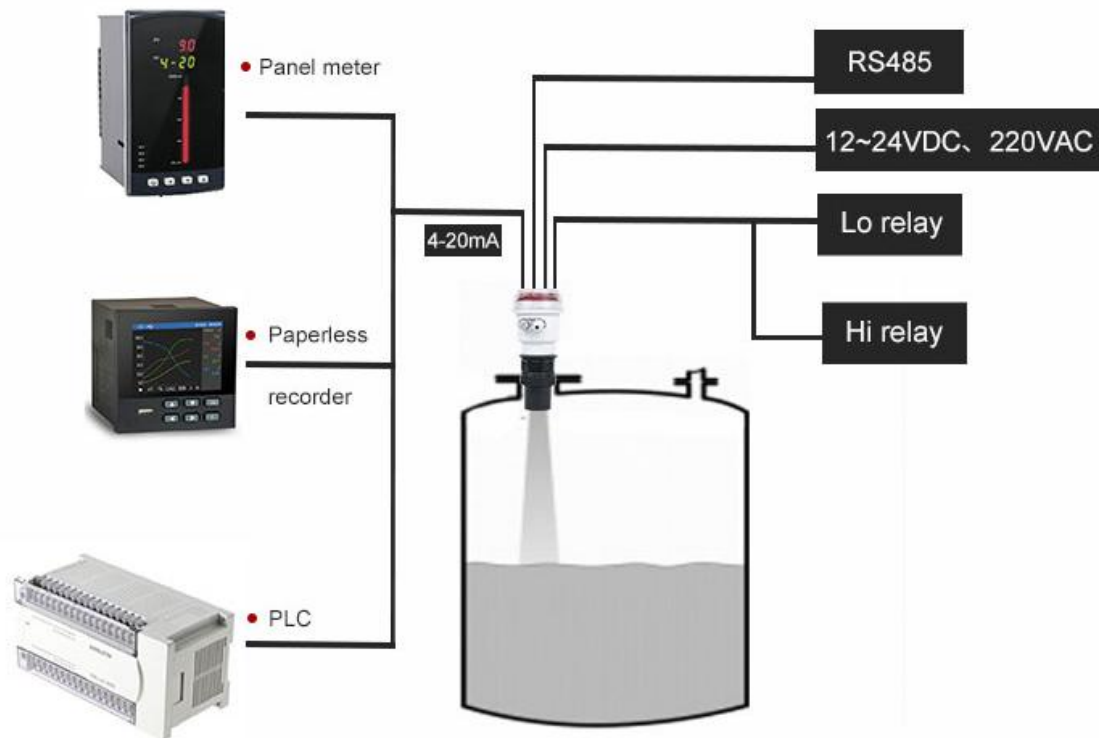
An integrated temperature sensor detects the temperature in the vessel and compensates the influence of temperature on the signal running time.

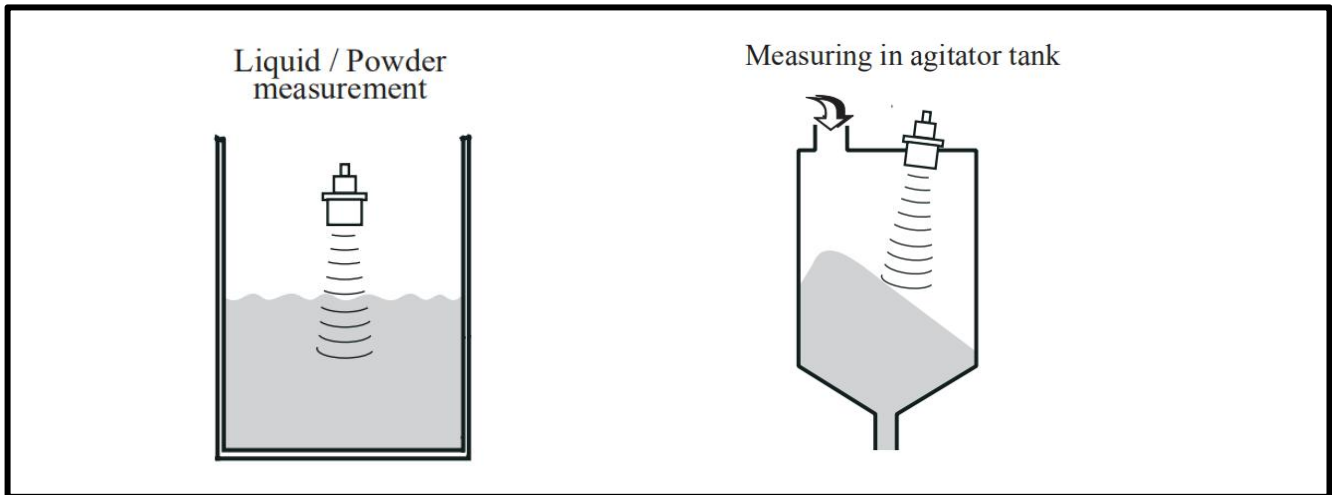
Display



Application

- ◆ Sewage/waste water/tapwater treatment equipment. Such as silos, open tanks , dams and wells.
- ◆ Liquids such as edible-oils, sauces and beverages.
- ◆ Chemical material such as solvent, paints, carbonic acid, water lime slurry and wax.
- ◆ Granular materials such as flour, wheat and corn.
- ◆ Chemical fibers, petrochemical materials such as plastic powders, plastic granules and plastic chips.



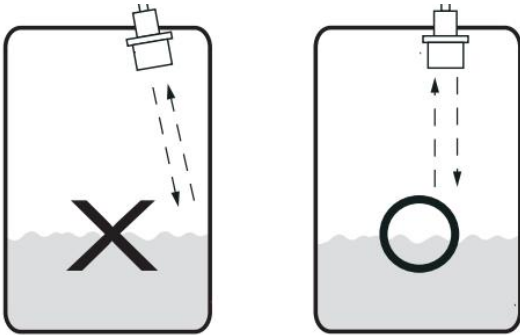


Parameter

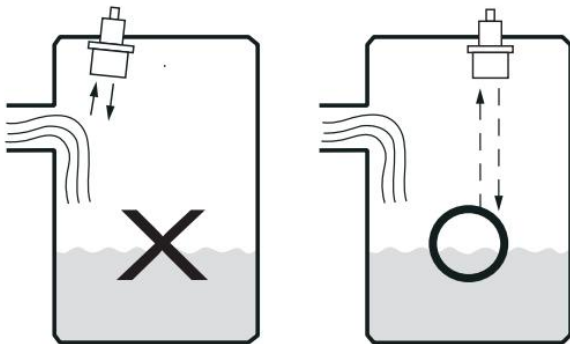
Measure Range:	5m、10m (Optional)
Blind zone:	≤0.35m
Accuracy:	0.5%F.S
Display:	OLED
Display resolution:	1mm or 0.1%FS
Power:	14~28VDC
Power consumption:	5W
Output (optional):	4~20mA RL>500Ω (standard) RS485 2 relays (AC: 3A 250V)
Working temperature	-20~60℃
Storage temperature	-20~70℃
Temperature compensation	Automatic
Installation:	Thread / Flange
Ingress Protection:	IP65
Measure type	Level / Distance

Installation

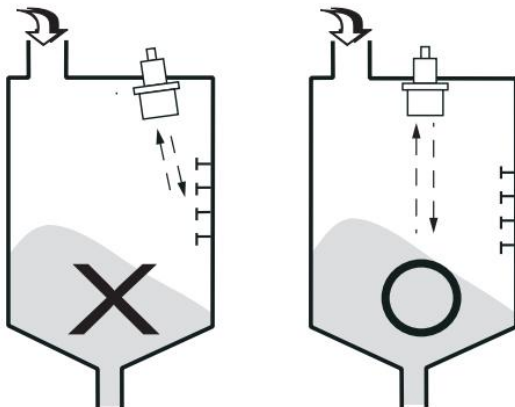
Keep transducer perpendicular to liquid.



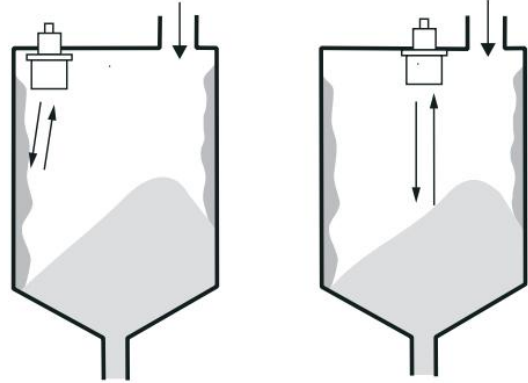
Mount the transducer away from the inlet to avoid false echoes.



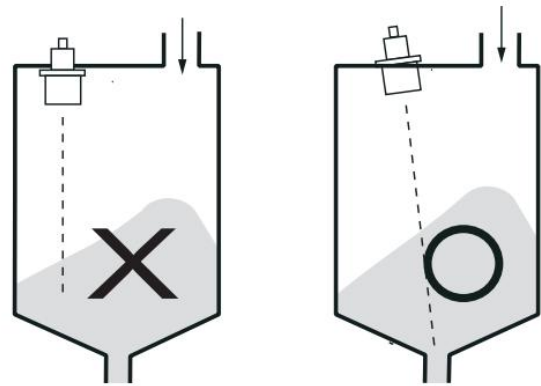
The transducer should not be mounted too close to the tank wall, the bracket can cause strong false echoes.



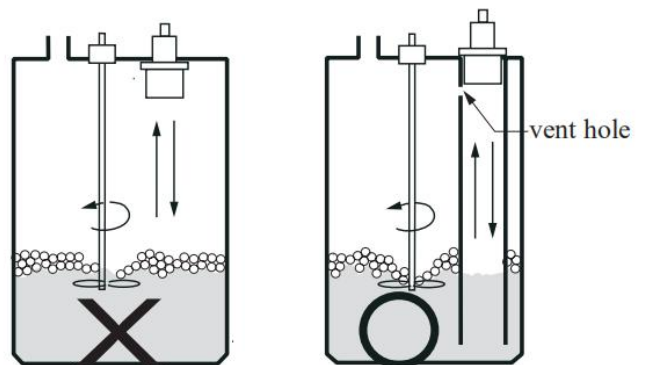
The transducer should not be mounted too close to the tank wall, the build-up on the tank wall cause false echoes.



When you mount the transducer on the solid tank, the transducer must point to the tank outlet.



As is illustrated by the figure on the right, the transducer should be mounted on the top of guide tube to prevent the false echoes from turbulence and foam. The guide tube should come with a vent hole at top of the tube to allow the liquid vapor go out of the tube.



Ultrasonic level transmitter

Model								Description
Type	-	-	-	-	-	-	-	
Type	MP							Model
Range	RT1							0 - 5 meter
	RT2							0 - 10 meter
Accuracy			J5					0.5% FS
Output type				O1				Two-wire4 - 20mA output
				O8				Four-wire4 - 20mA output
Communication				D0				None
				D2				RS485
Relay output					A0			No alarm output
					A2			
Power supply						V1		(14~28) VDC

twilight

INSTRUMENTOS DE MEDICIÓN INDUSTRIAL



LLÁMANOS

+52(81) 8115-1400 / +52 (81) 8173-4300

LADA Sin Costo:
01 800 087 43 75

E-mail:
ventas@twilight.mx

www.twilight.mx



/ [twightsadecv](https://www.facebook.com/twightsadecv)



/ [twightsadecv](https://twitter.com/twightsadecv)



/ [twightsadecv](https://www.youtube.com/twightsadecv)