

twilight

INSTRUMENTOS DE MEDICIÓN INDUSTRIAL

Transmisor Inalámbrico NA-FA232W

www.twilight.mx

 / [twilightsadecv](https://www.facebook.com/twilightsadecv)

 / [twilightsadecv](https://twitter.com/twilightsadecv)

 / [twilightsadecv](https://www.youtube.com/twilightsadecv)



Products description and application

FA232W is a wireless receiver, specially designed for large machinery, ports. It has unique design, durable and reliable, high interference resistant capacity, ease to mount.

Features

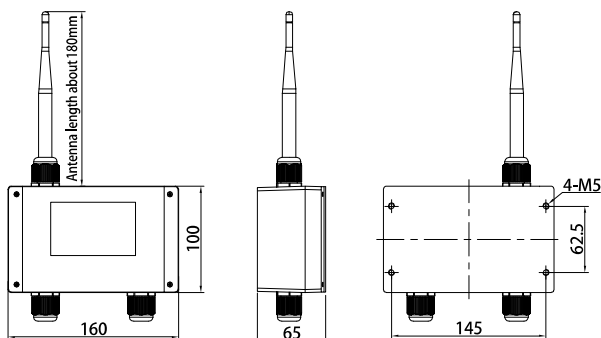
- All NANHUA FA series current signal type wind sensors are compatible.
- Adopt strengthen ZIGBEE wireless technology, long transmitting distance
- Adopts 2.4G DSSS technology, strong interference resistant capacity
- Wireless repeater is available, extend the transmitting distance

General Specifications

Electrical		Mechanical	
Rated voltage	DC24V	Housing material	Aluminum
Current	<100mA	Humidity	0~100% RH
Output voltage	DC18V~30V	Operating temperature	Ta-40℃ ~ +70℃
Output current	≤500mA	IP Rate	IEC60529 IP65
Wind speed	4~20mA (in accordance with 0~50m/s)	Housing color	Black RAL9005
Wind direction	4~20Ma (in accordance with 0~360°)	Weight	1.0kg
Zigbee data			
Network	Star network		
Antenna	2.4G SMA		
Note type	Route		
Antenna	Glue stick antenna RF:2.4G gain:5DB standing wave:<<1.5 interface:SMA male		
Transmitting power	25dbm		
Radio frequency	2.4G ISM Band		
Transmitting rate	Steady 250K		
Receiving sensitivity	-105dbm		
Transmitting distance	≤2000m		

Mounting dimensions

Unit: mm



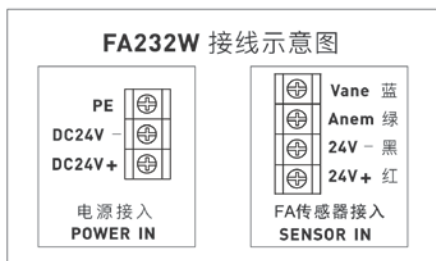
Installation:

Use 4nos M6(not provided) to mount the product.

Caution:

- 1.Ensure no obstruct objects between transmitter and display.
- 2.Keep transmitter and display at the same level.
- 3.Wireless products for same application must have same network and same radio channel, do not mix to use. (factory setted)
- 4.FA231W can be used as transmitter(when connect to FA220C) or receiver(when connect to FA221C).

Wiring diagram



Refer to the left wiring diagram.

If use NANHUA provided cable, please connect wires as follow, Red wire is anemometer power line.

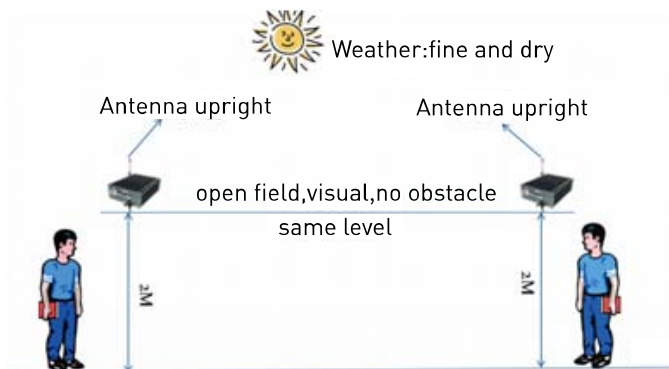
Green wire is wind speed signal line.

Blue wire is wind direction signal line.

Caution:

If use heating type wind sensors, yellow wire and white wire be connected to left terminals in POWER IN, shielding layer be connected terminal PE.

Best condition for transmitter and mounting



Antenna place



How to Order

P/N	Model	Rated voltage	Signal input	Mount
1000286-001	FA232W	DC24V	Wind speed 4-20mA=0-50m/s; Wind direction 4-20mA=0-359° ; ZIGBEE wireless	4-M5 thread hole, hole position 145 ×62.5mm

Thanks for choosing our products, NANHUA Electronics is the professional brand of signal transmission and high quality industrial lighting which is trusted and loved by global users from various industries.

Read and understand these instructions completely and carefully. Wrong installation and operation may lead to fires, electric shock, and others. Due to our continued efforts to improve our products, product specifications are subject to change without notice. ©NANHUA Electronics Co., Ltd. All rights reserved. www.nanhua.com

twilight

INSTRUMENTOS DE MEDICIÓN INDUSTRIAL



LLÁMANOS

+52(81) 8115-1400 / +52 (81) 8173-4300

LADA Sin Costo:
01 800 087 43 75

E-mail:
ventas@twilight.mx

www.twilight.mx



/ [twightsadecv](https://www.facebook.com/twightsadecv)



/ [twightsadecv](https://twitter.com/twightsadecv)



/ [twightsadecv](https://www.youtube.com/twightsadecv)