

twilight

INSTRUMENTOS DE MEDICIÓN INDUSTRIAL

Negatoscopio de Mesa

LC-FV2010

www.twilight.mx



/ twilightSadecv



/ twilightSadecv



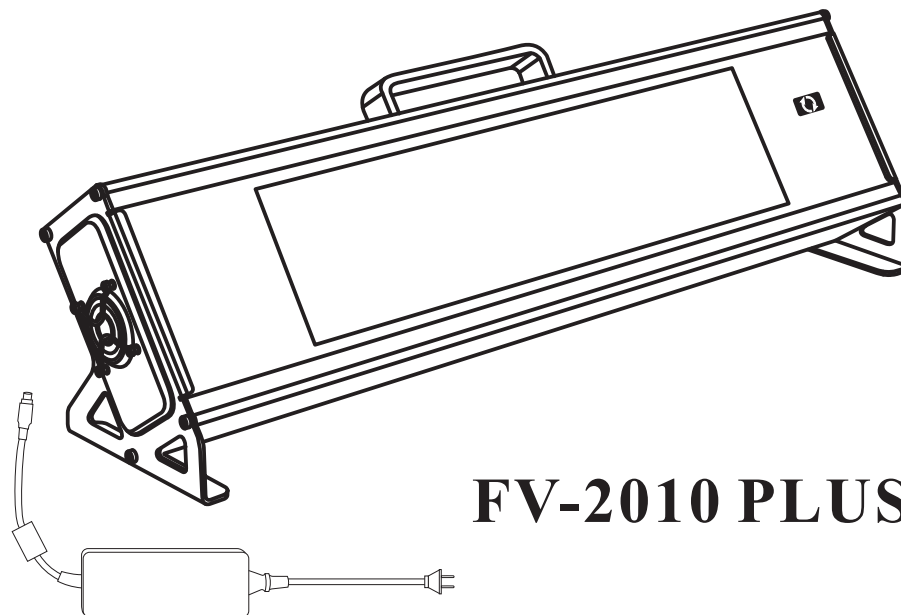
/ twilightSadecv

CE

LED Portable Industrial Film Viewer

User's Manual

LCNDT®



FV-2010 PLUS

LCNDT® Wen Zhou Lu Cheng NDT Equipment Corp.

Address: RM.308,Kang Yuan South Building XinCheng Avenue,
Wenzhou City, Zhejiang Province, P.R.China.

Post Code: 325000

Tel: 86-577-88293040, 88293242, 88293909

Fax: 86-577-88259689

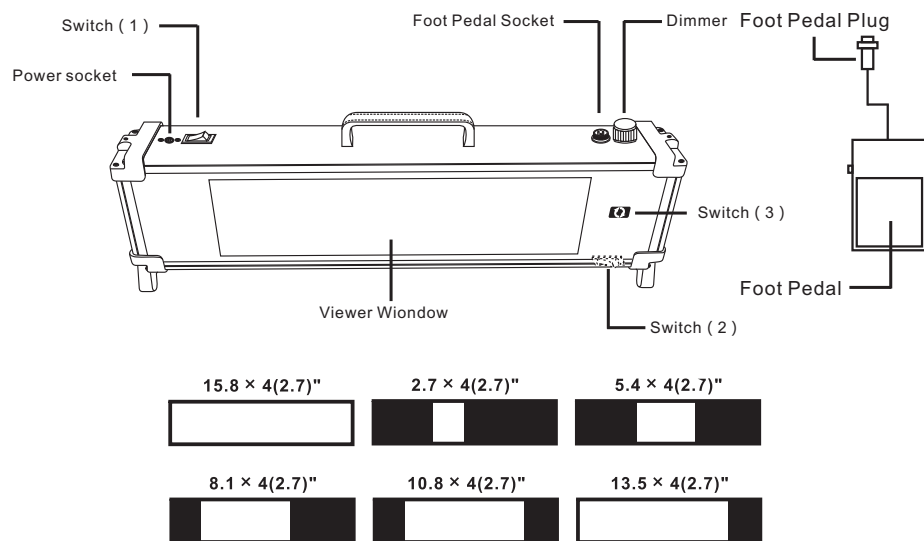
Http://www.Lcndt.net

E-mail: Lcndt@163.com

Wen Zhou Lu Cheng NDT Equipment Corp.

Instruction:

The LED Industrial X-Ray Film Viewer FV-2010 Plus combines advantages of both domestic and foreign film viewers, overcome various defects of traditional fluorescent lamp film viewers, such as low luminance, poor contrast and short lifetime. It is developed according to the Norm of ISO5580 Industrial radiographic illuminators - Minimum requirements. Thanks to the portable, rugged and smart design, FV-2010 Plus is extremely suitable for fieldwork. And the maximum luminance can be high to 100,000 Cd/M². It will come to be your right-hand man of you for sure.



Characteristics:

1. Genuine cold-light source without radiation, super bright LED: extraordinary angle and high-powered LED chips, maximum power consumption is 150W.
2. Long life-time light source: work time ≥ 50,000 hours, 10 times longer than fluorescent lamps. With the help of our thermal alarm system, the performance can be even fantastic.
- * Work time means the luminance of the light decreased to 70% of original.
3. Fans with temperature depended speed control – Lower noise
4. Unlimited Dimmer for LED: use PWM to finalize 5%-100% wide rage unlimited dimmer.
5. Quick start-up: the start-up time of LED is less than 5ms, not like the fluorescent lamp, no warm-up time is required, and the frequency of start-up will not influence the life-time of LED.

Specification:

1. Maximum luminance: See Product Certificate attached
2. View films to H/D: See Product Certificate attached
3. Average color temperature = 7000K
4. Uniformity: See Product Certificate attached
5. Diffusion Factor: See Product Certificate attached
6. Maximum size of view windows: 400*100mm
7. Power supply: 47~63Hz 85~264VAC (Full range)
8. Power consumption: 150W
9. Dimension: 23.6 3.1 6.3", 600 80 160mm (L*W*H)
10. Weight: 4Kg

Usage tips:

1.1 **Foot mode (Recommended):** turn the switch (2) to “ON” , enable the foot-switch. Plugged in, then turn the switch (1) to “ON” , and the viewer will start-up in the minimum luminance, with its' help, your eyes will be protected. Whenever you press down the foot-switch, the viewer will start-up in the luminance that you have already set, you can adjust the luminance by dimmer.

*How to adjust the standby luminance when using foot mode?

1. Connect the foot pedal to the film viewer
2. Activate foot mode (Turn on switch 2)
3. Keep pressing foot pedal
4. Turn on the viewer (Switch 1)
5. When the film viewer is on, release the foot pedal
6. Each time you press the foot pedal, the luminance can be adjusted from weak to strong (8 grades). When it reaches the luminance you need, turn off the film viewer.
7. Restart the film viewer. When you use foot mode, the standby luminance will stay at the status you adjust before.

1.2 **Hand mode:** turn the switch (2) to “OFF” , disable the foot-switch. Plugged in, then turn the switch (1) to “ON” , and the viewer will start-up in the luminance that you have already set, you can adjust the luminance by dimmer.

twilight

INSTRUMENTOS DE MEDICIÓN INDUSTRIAL



LLÁMANOS

+52(81) 8115-1400 / +52 (81) 8173-4300

LADA Sin Costo:
01 800 087 43 75

E-mail:
ventas@twilight.mx

www.twilight.mx